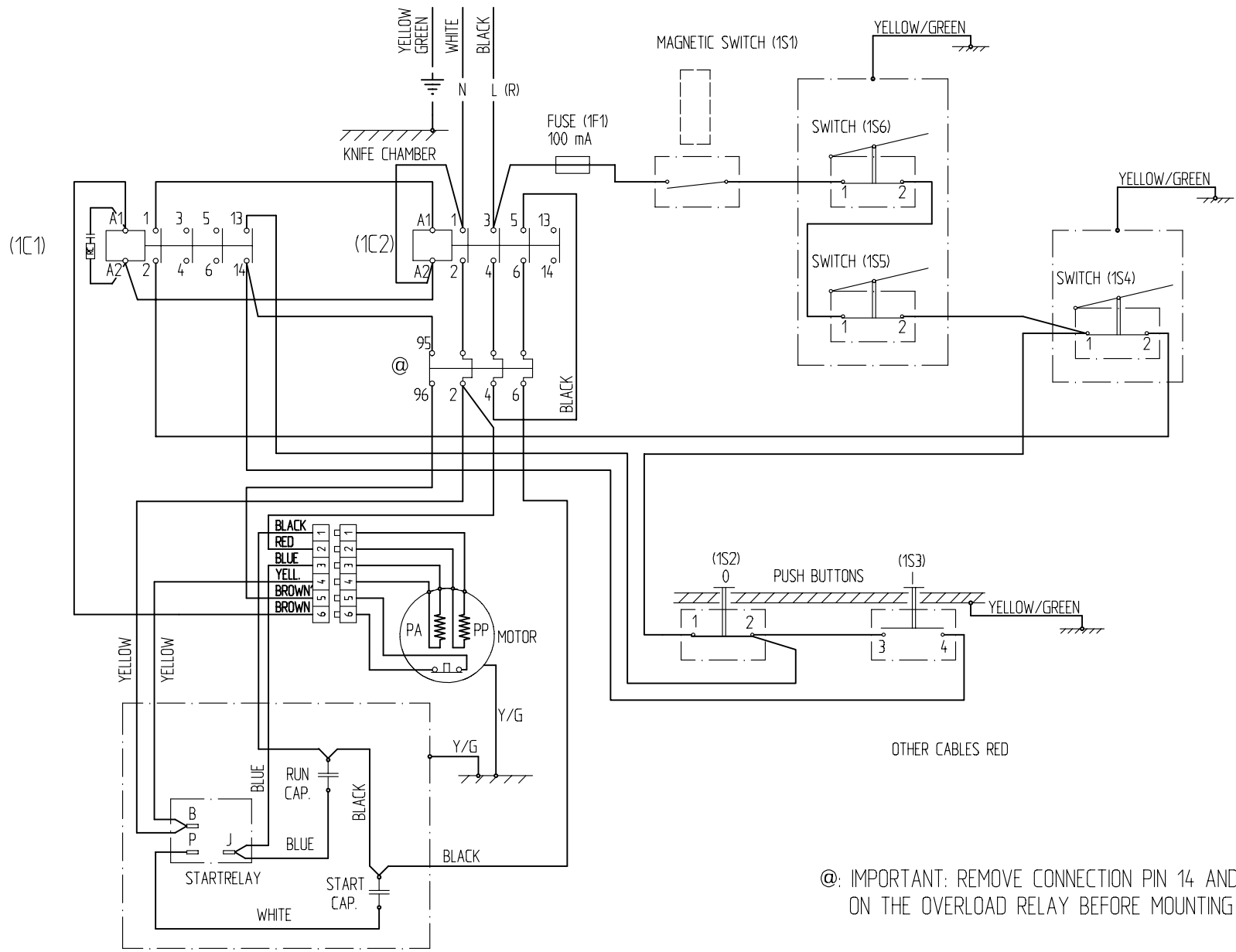


RG-350, ELECTR. DIAGRAM
220-240 1 50/60, LS-RELAY

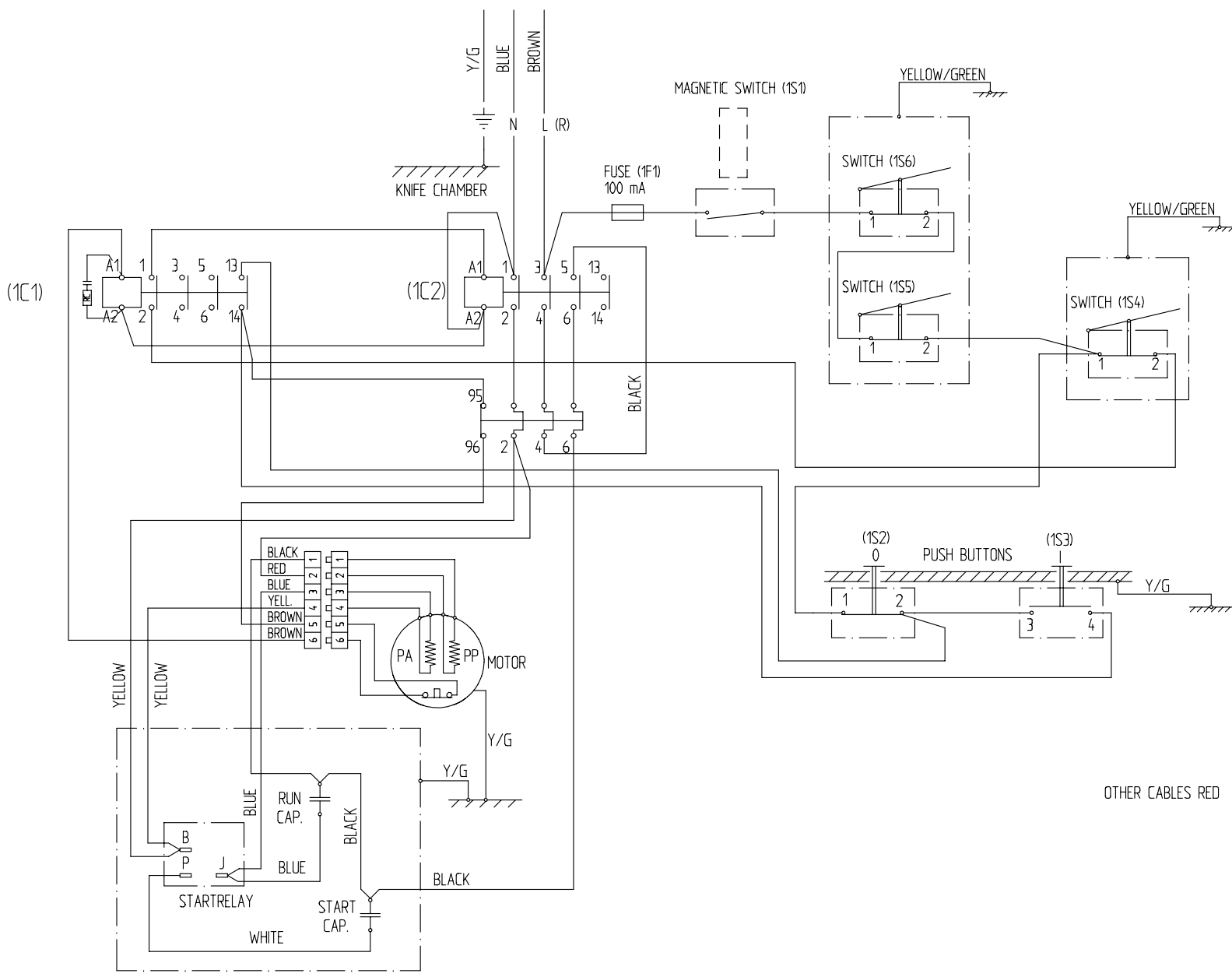
Dwn by	UEN	Revdate	96-02-21
Appr.	JSt	Date	94-12-19
Drawing no.	40739		



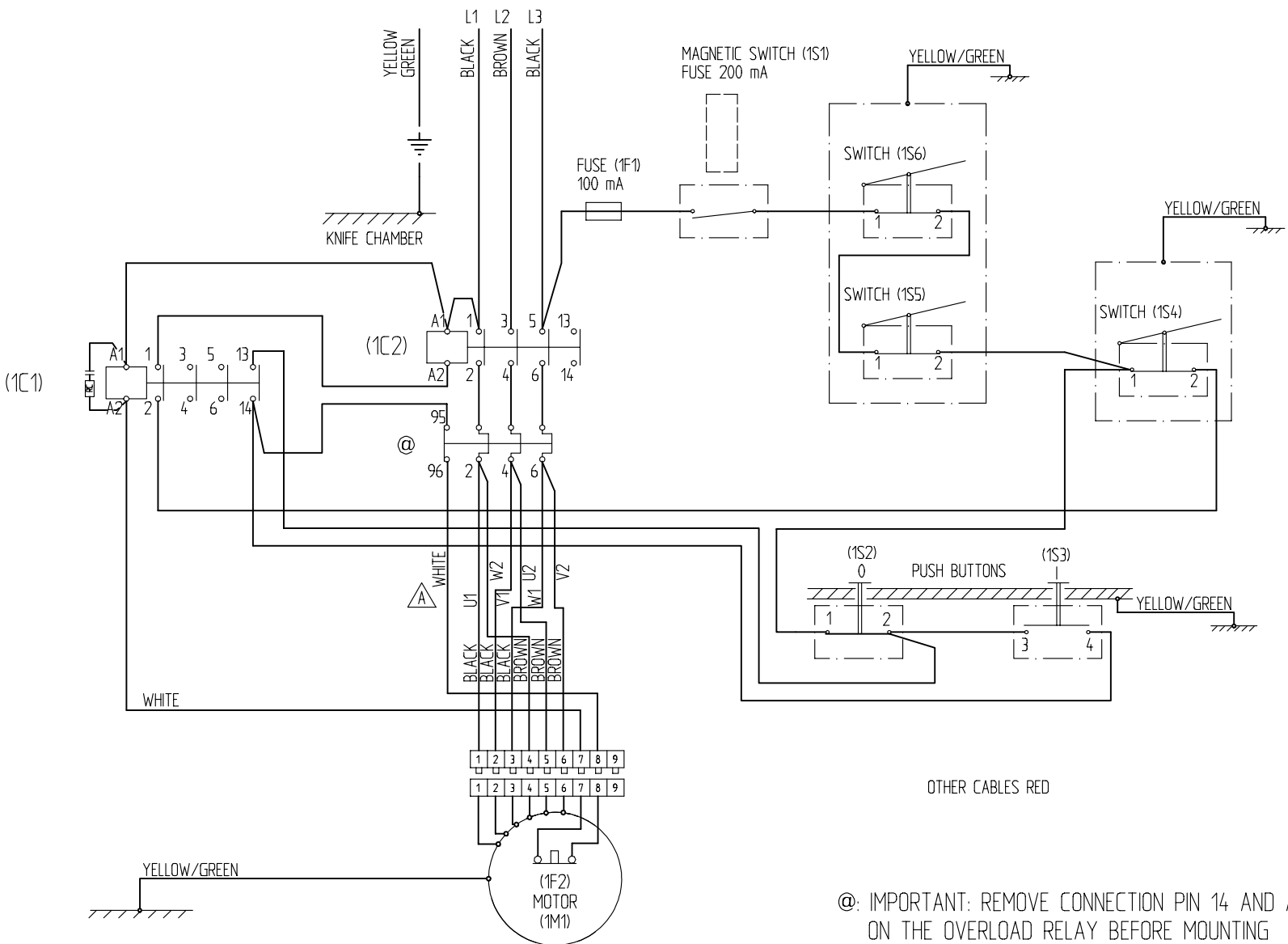
@: IMPORTANT: REMOVE CONNECTION PIN 14 AND A2 ON THE OVERLOAD RELAY BEFORE MOUNTING

RG-350, ELECTR. DIAGRAM
110-120 1 50/60, LS-RELAY

Dwn by	UEN	Revised	96-01-05
Appr.	JSt	Date	94-12-19
Drawing no.	40740		



Ltr No	Revision	Date	Dwn by	Appr.	Chd No
A 1	COLOURS CHANGED	950307	UEN	JSt	765



RG-350 ELECTR. DIAGRAM

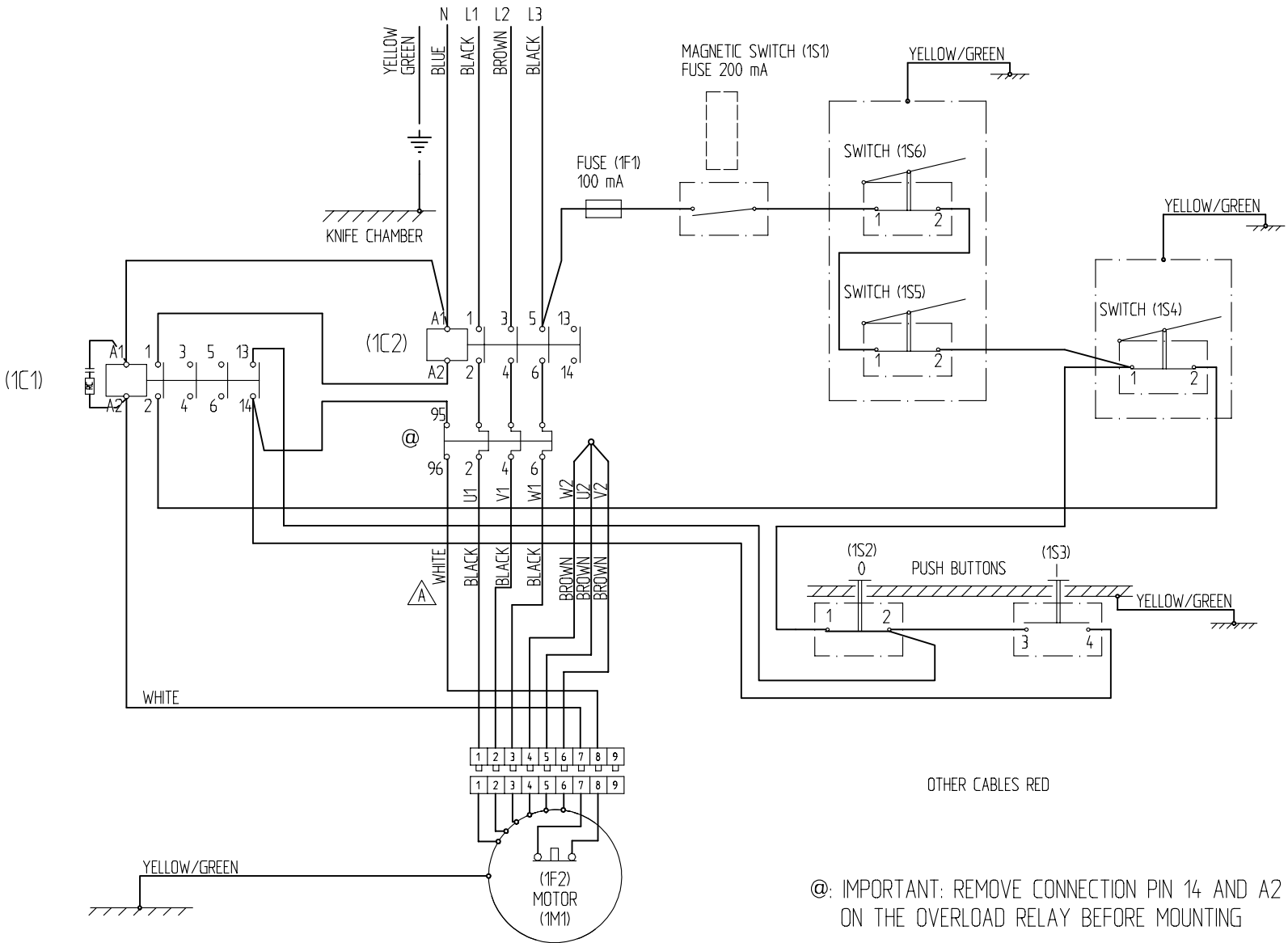
220-230 3 50/60 W/O NEUTRAL WIRE

Dwn by UEN Revdate 96-02-21

Appr. JSt Date 94-11-17

Drawing no. 40698/A

Ltr No	Revision	Date	Dwn by	Appr.	Chd No
A 1	COLOURS CHANGED	950307	UEN	JSt	765



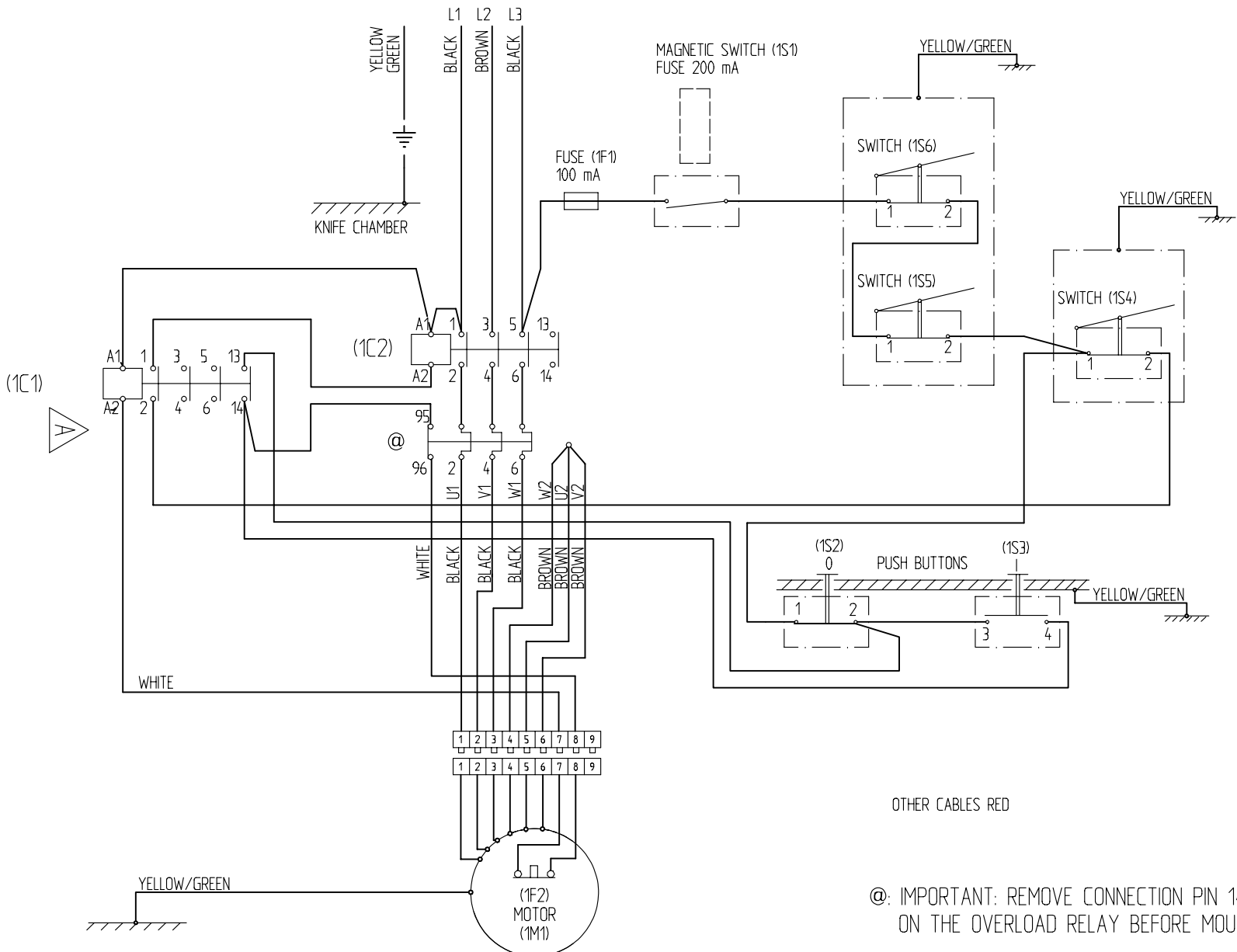
@: IMPORTANT: REMOVE CONNECTION PIN 14 AND A2 ON THE OVERLOAD RELAY BEFORE MOUNTING

RG-350 ELECTR. DIAGRAM

380-415 3 50 W. NEUTRAL WIRE

Dwn by	UEN	Revdate	96-02-21
Appr.	JSt	Date	94-11-17
Drawing no.	40699/A		

Ltr No	Revision	Date	Dwn by	Appr.	Chd No
A 1	RC-UNIT REMOVED	96/202	UEN	JSt	961



OTHER CABLES RED

@: IMPORTANT: REMOVE CONNECTION PIN 14 AND A2 ON THE OVERLOAD RELAY BEFORE MOUNTING

RG-350, ELECTR. DIAGRAM
380-460 3 50/60 W/O NEUTRAL WIRE

Dwn by	UEN	Revdate	96-02-21
Appr.	JSt	Date	95-05-18
Drawing no.	40784/A		